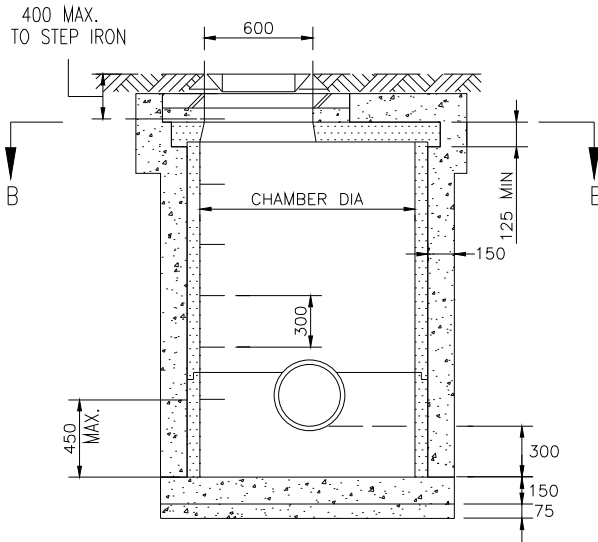
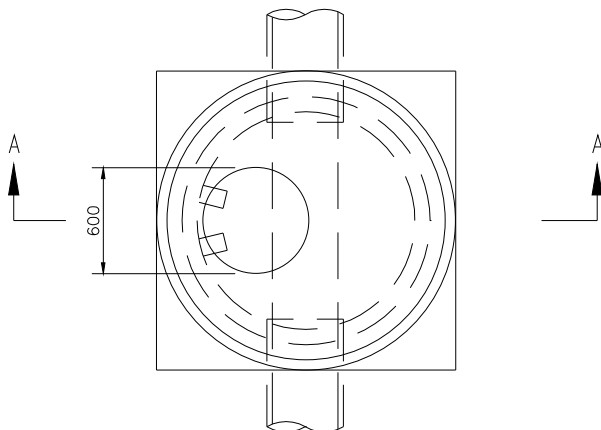


CP TYPE No.	CHAMBER DIAMETER mm
1	1050
2	1200
3	1350



SECTIONAL ELEVATION AA



SECTIONAL PLAN BB

PRECAST CONCRETE CATCHPIT
DEPTH TO BASE LESS THAN 3.0m

NOTES:

THIS CATCHPIT IS FOR USE WHERE
1. DEPTH TO INVERT <3.0m, AND
2. CHAMBER HEIGHT <2.0m

ALL DIMENSIONS IN MILLIMETRES.

75mm DEPTH MIX ST4 BLINDING
CONCRETE TO BE PROVIDED UNDER BASE.

CATCHPIT BASE TO BE CAST INSITU,
IN MIX ST4 CONCRETE. FINISH SHALL
BE SMOOTH, TO CLASS U3.

PIPES TO BE BUILT INTO CHAMBER RINGS
SUCH THAT THE PIPE END IS NOT LESS THAN
20mm NOR MORE THAN 50mm FROM THE
NEAREST POINT ON THE INSIDE FACE OF
THE CHAMBER RING.

OPENINGS IN RINGS SHALL NOT BE WIDER
AT ANY POINT PERPENDICULAR TO THE PIPE
DIRECTION, THAN THE OUTSIDE DIA. OF
THE PIPE +20mm

RINGS AND COVER SLAB SHALL BE
COMPLETELY SURROUNDED FOR THE FULL RING
HEIGHT WITH 150mm THICK MIX ST4
CONCRETE AFTER THE INSTALLATION OF ALL PIPES.

FOR ALL PIPES EXCEPT CORRUGATED, THE
NEAREST JOINT SHALL FORM PART OF AN
ARTICULATED SECTION AND BE NOT MORE
THAN 500mm FROM THE INNER FACE OF
THE WALL.

ALL PRECAST CONCRETE CATCHPIT COMPONENTS
TO BE REINFORCED AND COMPLY WITH
BS 5911-3:2010+A1:2014. THE COVER SLAB
SHALL BE "HEAVY DUTY".

ALL COMPONENTS TO BE BEDDED ON CLASS I
MORTAR, AND SURPLUS NEATLY STRUCK OFF.

TOP AND BOTTOM RINGS SHALL BE PLAIN ENDED.

STEP IRONS TO BE TO BS EN 13101:2002
THEY SHALL NOT BE USED FOR LIFTING
COMPONENTS.

THE ACCESS POSITION MAY BE ALTERED
WITH THE ENGINEERS APPROVAL TO SUIT THE
PIPE LAYOUT WITHIN THE CATCHPIT.

1 TO 2 COURSES OF CLASS B ENGINEERING
BRICK TO BS EN 771-1:2011 TO BE PROVIDED
TO ADJUST FINAL LEVEL OF CATCHPIT COVER.
FOR DETAILS OF SEATING SLAB SEE DRG.5308.

CATCHPIT COVER TO BE AS BILLED.
IN THE CARRIAGEWAY COVER AND FRAME
TO BE TO CLASS D400.
IN OTHER LOCATIONS COVER AND FRAME
TO BE TO BS.EN.124 CLASS B125.

ALL MORTAR TO BE CLASS I EXCEPT IN THE
CARRIAGEWAY WHERE THE COVER FRAME
SHALL BE BEDDED ON EPOXY RESIN MORTAR.

East Lothian Council
Road Services
John Muir House
Haddington
East Lothian
EH41 3HA



PRECAST CONCRETE CATCHPIT
DEPTH TO BASE LESS THAN 3.0m

Date: AUG 2012
Scale: NTS

Drawn by:
Checked by:

DRG. NO. 5361/2