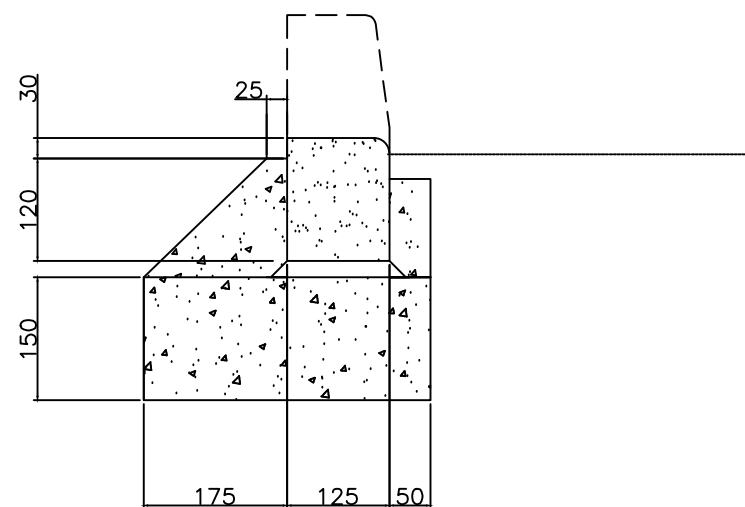


TYPICAL DETAILS FOR 2m. FOOTWAY



TYPICAL CROSS SECTION

NOTES

ALL DIMENSIONS IN MILLIMETRES.

THIS ACCESS IS FOR VEHICULAR USE ONLY.

WHERE THE ACCESS IS TO AN INDIVIDUAL DWELLING IT SHALL BE CONSTRUCTED TO THE ADJACENT FOOTWAY SPECIFICATION.

DROPPER KERBS AND DROPPED KERBS MAY BE MITRED FULL SIZE KERBS OR SPECIAL UNITS.

MITRED KERBS SHALL BE POINTED WITH CLASS 1 MORTAR.

KERB DETAILS TO COMPLY WITH BS EN 1340:2003

KERB FOUND AND HAUNCH TO BE GRADE ST4 CONCRETE.

KERBS TO BE LAID AND BEDDED ON A LAYER OF CLASS 1 MORTAR NOT LESS THAN 10mm AND NOT MORE THAN 40mm THICK.

ALTERNATIVELY, KERBS MAY BE LAID DIRECTLY ON THE CONCRETE FOUNDATION WHILE IT IS STILL PLASTIC.

ALL KERBS TO BE ABUTTED, EXCEPT KERBS LAID TO A RADIUS OF LESS THAN 40mm, WHICH SHALL BE LAID WITH AN AVERAGE GAP OF 6mm AND POINTED WITH CLASS 1 MORTAR.

REVISION	DETAILS	BY	DATE

East Lothian Council
Road Services
John Muir House
Haddington
East Lothian
EH41 3HA



VEHICULAR PRIVATE ACCESS
DROP KERB TYPE

Date: JULY 2018
Scale: N.T.S

Drawn by: R.McN
Checked by: GO